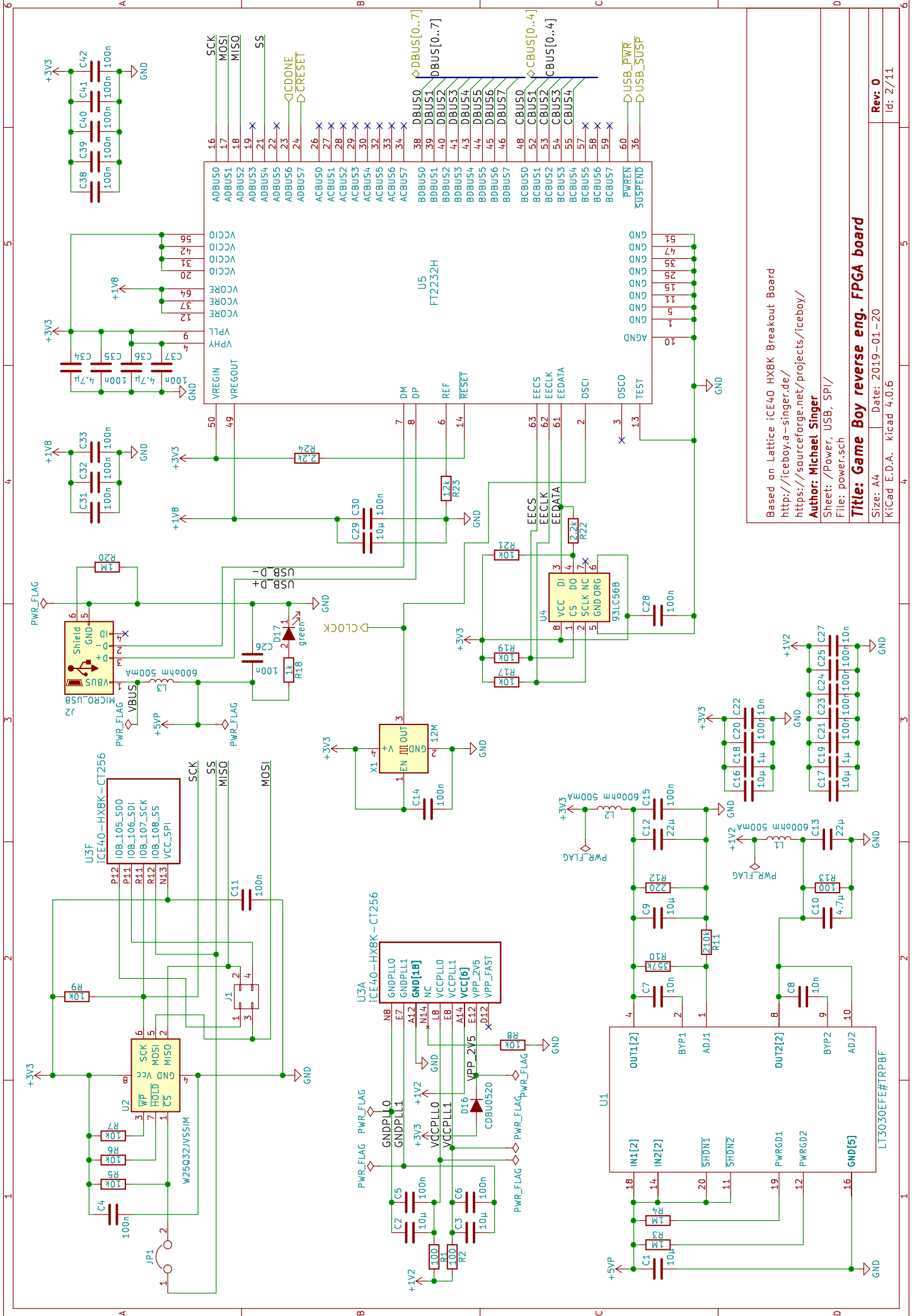
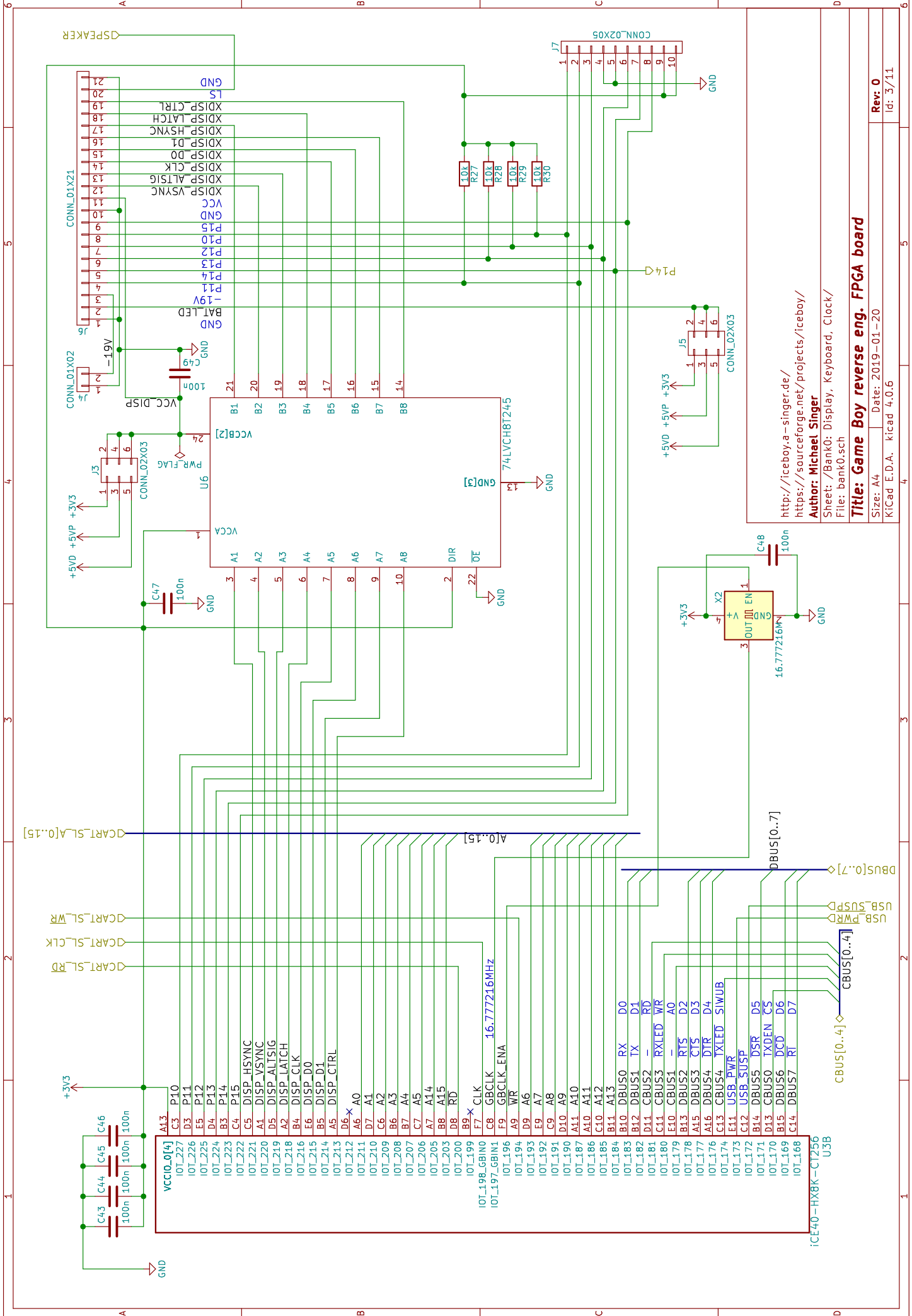


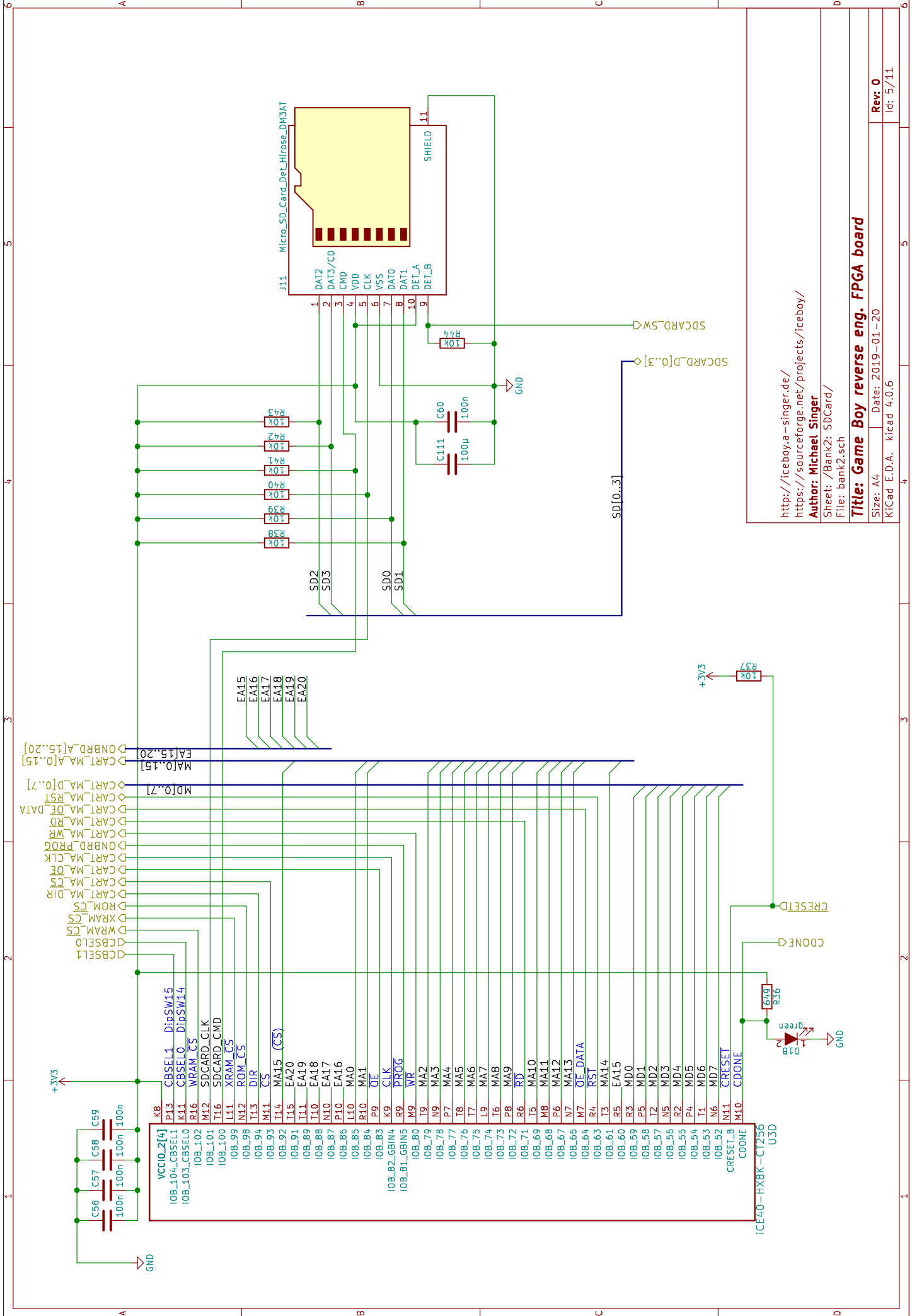
<http://iceboy.a-singer.de/>
<https://sourceforge.net/projects/iceboy/>
Author: Michael Singer
 Sheet: /
 File: fpgaboard.sch
Title: Game Boy reverse eng. FPGA board
 Size: A4 | Date: 2019-01-20
 KiCad E.D.A. kicad 4.0.6



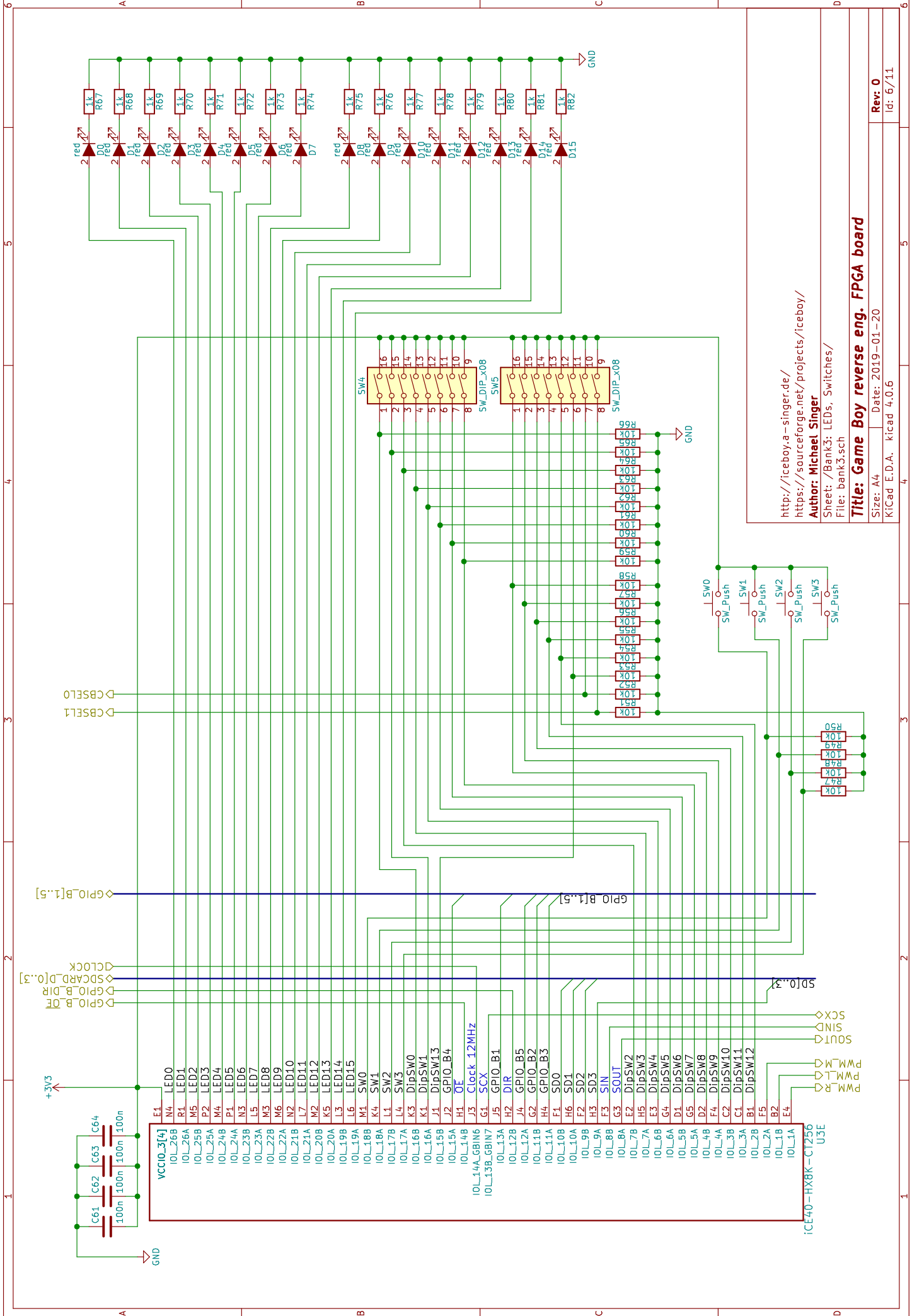


<http://iceboy.a-singer.de/>
<https://sourceforge.net/projects/iceboy/>
Author: Michael Singer
 Sheet: /Bank0: Display, Keyboard, Clock/
 File: bank0.sch
Title: Game Boy reverse eng. FPGA board
 Size: A4 Date: 2019-01-20
 KiCad E.D.A. kicad 4.0.6

Rev. 0
 Id: 3/11



<http://iceboy.a-singer.de/>
<https://sourceforge.net/projects/iceboy/>
Author: Michael Singer
 Sheet: /Bank2: SDCard/
 File: bank2.sch
Title: Game Boy reverse eng. FPGA board
 Size: A4 | Date: 2019-01-20
 KiCad E.D.A. kicad 4.0.6

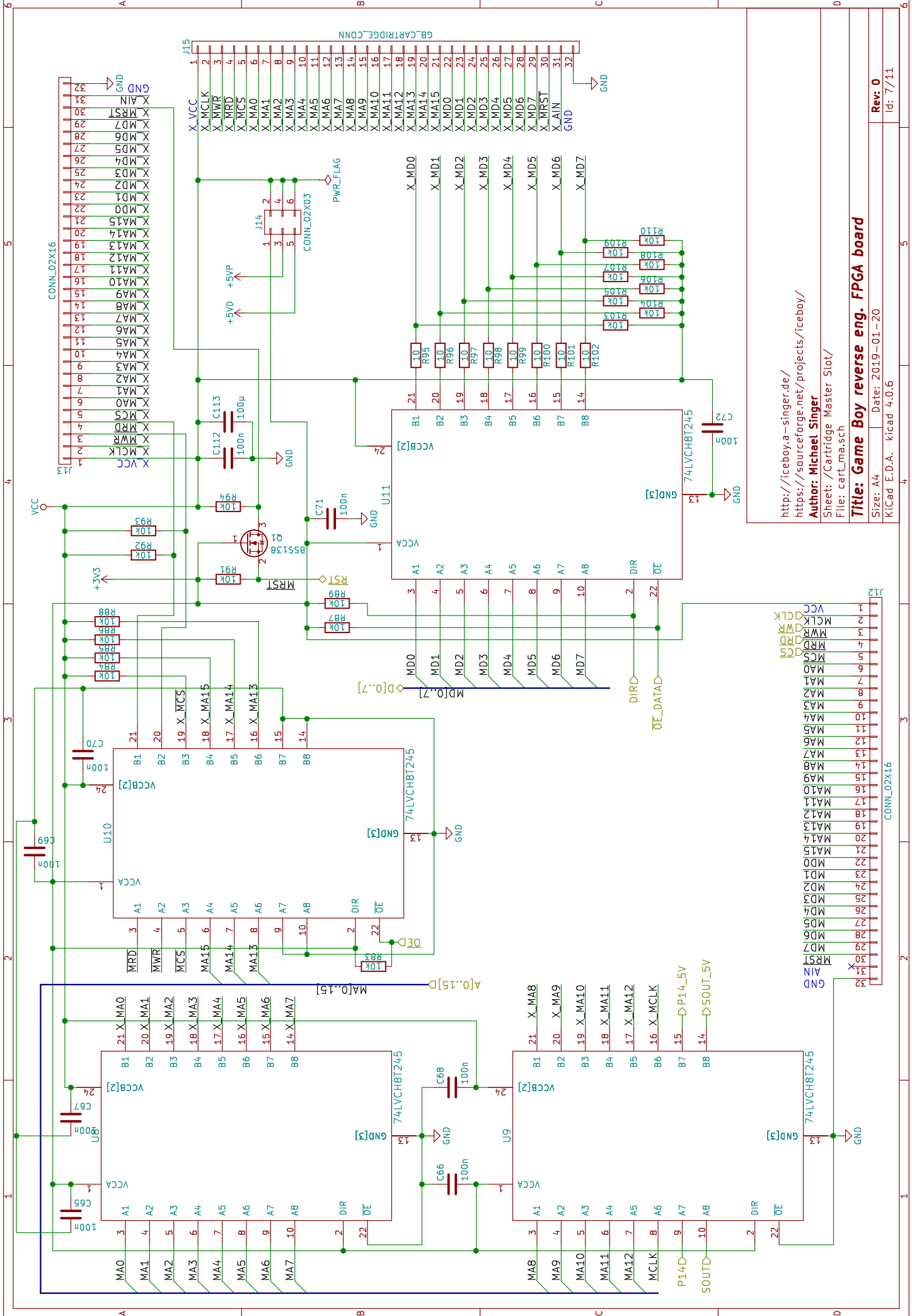


<http://iceboy.a-singer.de/>
<https://sourceforge.net/projects/iceboy/>
Author: Michael Singer
 Sheet: /Bank3: LEDs, Switches/
 File: bank3.sch

Title: Game Boy reverse eng. FPGA board

Size: A4 | Date: 2019-01-20
 KiCad E.D.A. | kicad 4.0.6

Rev: 0
 Id: 6/11

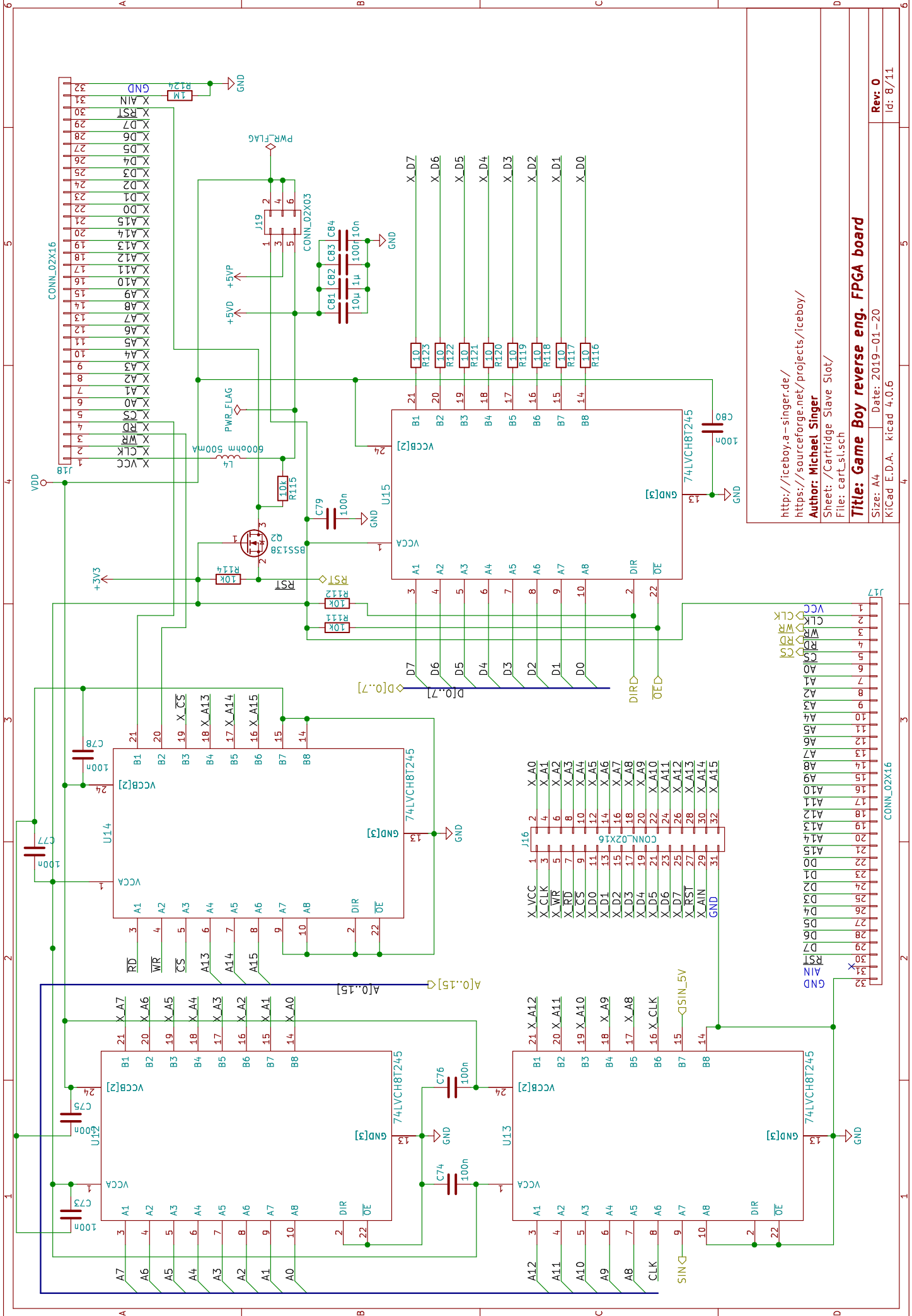


1	VCC
2	MCLK
3	MWR
4	MRD
5	MCS
6	MA0
7	MA1
8	MA2
9	MA3
10	MA4
11	MA5
12	MA6
13	MA7
14	MA8
15	MA9
16	MA10
17	MA11
18	MA12
19	MA13
20	MA14
21	MA15
22	MDO
23	MD1
24	MD2
25	MD3
26	MD4
27	MD5
28	MD6
29	MD7
30	MRS1
31	AIN
32	GND

1	AIN
2	MRS1
3	MD7
4	MD6
5	MD5
6	MD4
7	MD3
8	MD2
9	MD1
10	MDO
11	MA15
12	MA14
13	MA13
14	MA12
15	MA11
16	MA10
17	MA9
18	MA8
19	MA7
20	MA6
21	MA5
22	MA4
23	MA3
24	MA2
25	MA1
26	MA0
27	MCS
28	MWR
29	MRD
30	MCLK
31	VCC
32	GND

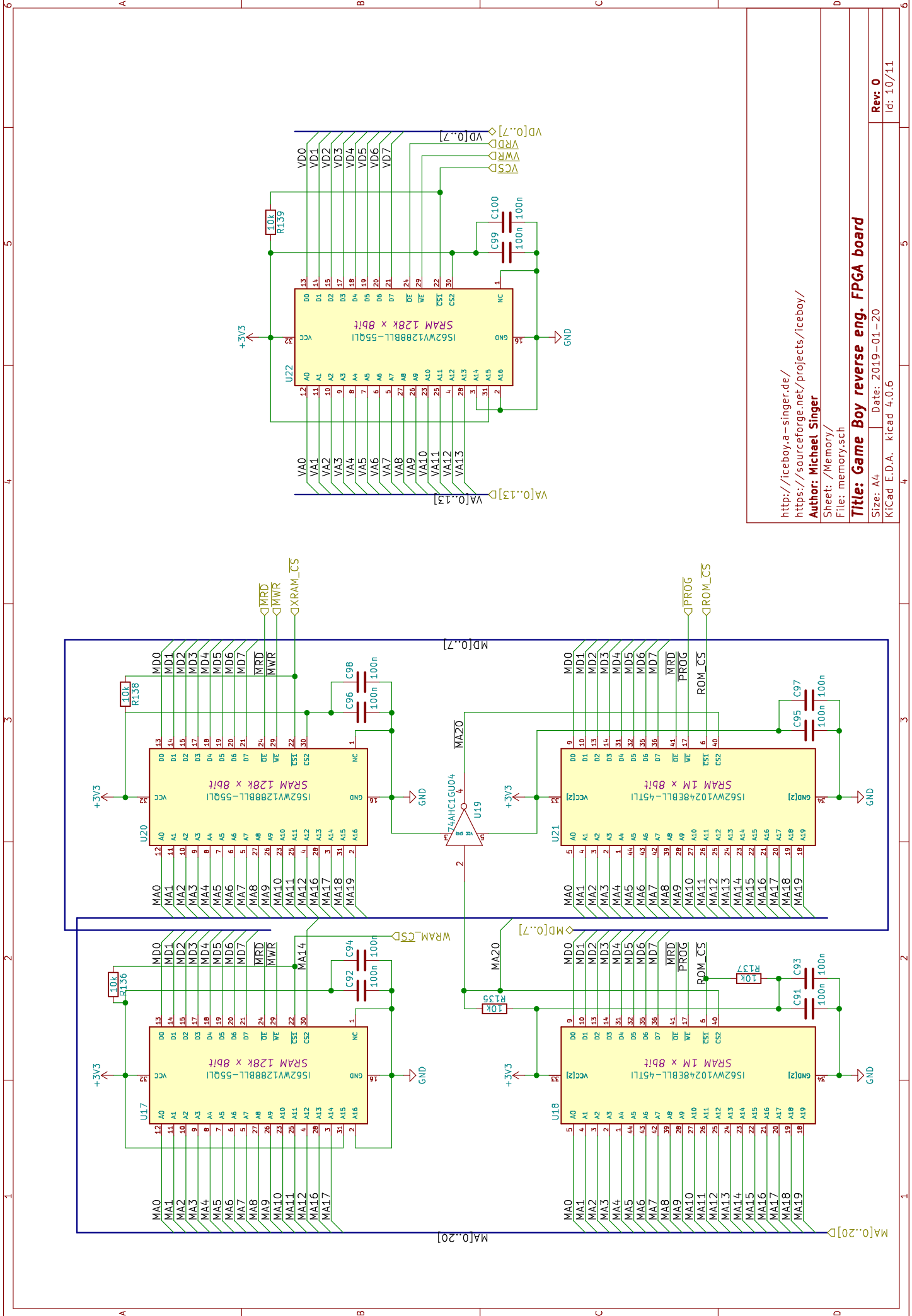
CONN_02X16

<http://iceboy.a-singer.de/>
<https://sourceforge.net/projects/iceboy/>
Author: Michael Singer
 Sheet: /Cartridge Master Slot/
 File: cart_ma.sch
Title: Game Boy reverse eng. FPGA board
 Size: A4 Date: 2019-01-20
 KiCad E.D.A. kicad 4.0.6



<http://iceboy.a-singer.de/>
<https://sourceforge.net/projects/iceboy/>
Author: Michael Singer
 Sheet: /Cartridge Slave Slot/
 File: cart_sl.sch
Title: Game Boy reverse eng. FPGA board
 Size: A4 Date: 2019-01-20
 KiCad E.D.A. kicad 4.0.6

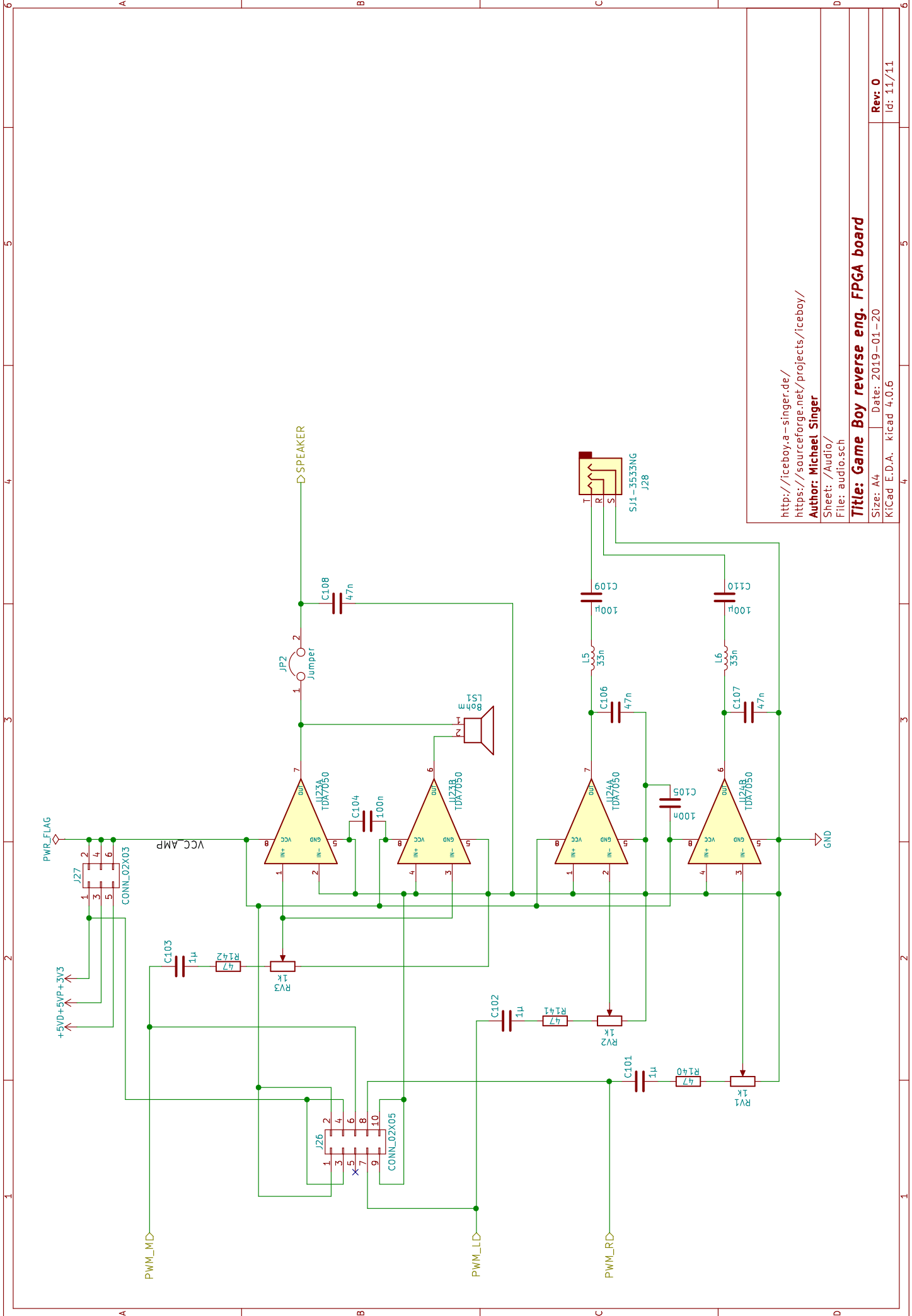
1	17	VCC
2	18	CLK
3	19	WR
4	20	RD
5	21	CS
6	22	A15
7	23	A14
8	24	A13
9	25	A12
10	26	A11
11	27	A10
12	28	A9
13	29	A8
14	30	A7
15	31	A6
16	32	A5
17	33	A4
18	34	A3
19	35	A2
20	36	A1
21	37	A0
22	38	D15
23	39	D14
24	40	D13
25	41	D12
26	42	D11
27	43	D10
28	44	D9
29	45	D8
30	46	D7
31	47	D6
32	48	D5
33	49	D4
34	50	D3
35	51	D2
36	52	D1
37	53	D0
38	54	DIRD
39	55	OE
40	56	DIR
41	57	OE
42	58	DIR
43	59	OE
44	60	DIR
45	61	OE
46	62	DIR
47	63	OE
48	64	DIR
49	65	OE
50	66	DIR
51	67	OE
52	68	DIR
53	69	OE
54	70	DIR
55	71	OE
56	72	DIR
57	73	OE
58	74	DIR
59	75	OE
60	76	DIR
61	77	OE
62	78	DIR
63	79	OE
64	80	DIR
65	81	OE
66	82	DIR
67	83	OE
68	84	DIR
69	85	OE
70	86	DIR
71	87	OE
72	88	DIR
73	89	OE
74	90	DIR
75	91	OE
76	92	DIR
77	93	OE
78	94	DIR
79	95	OE
80	96	DIR
81	97	OE
82	98	DIR
83	99	OE
84	100	DIR
85	101	OE
86	102	DIR
87	103	OE
88	104	DIR
89	105	OE
90	106	DIR
91	107	OE
92	108	DIR
93	109	OE
94	110	DIR
95	111	OE
96	112	DIR
97	113	OE
98	114	DIR
99	115	OE
100	116	DIR



<http://iceboy.a-singer.de/>
<https://sourceforge.net/projects/iceboy/>
Author: Michael Singer
 Sheet: /Memory/
 File: memory.sch

Title: Game Boy reverse eng. FPGA board

Size: A4	Date: 2019-01-20
KiCad E.D.A. kicad 4.0.6	
Rev. 0	
Id: 10/11	



<http://iceboy.a-singer.de/>
<https://sourceforge.net/projects/iceboy/>
Author: Michael Singer
 Sheet: /Audio/
 File: audio.sch
Title: Game Boy reverse eng. FPGA board
 Size: A4 | Date: 2019-01-20
 KiCad E.D.A. kicad 4.0.6